

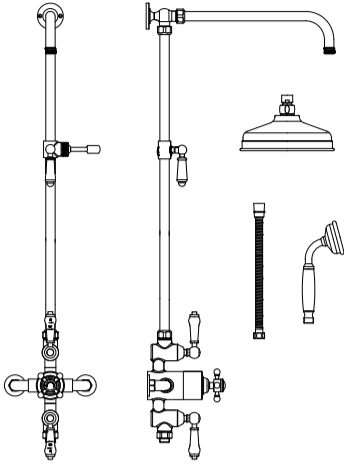
# USER MANUAL



Thank you for choosing Better Bathrooms. Please read this manual before installing your product and keep for future reference.

better  
bathrooms

## Product name Traditional Exposed Shower Set - Camden



- Single-person assembly
- We always recommend using professional tradespeople to install your product

V4\_11.15.2025

### Congratulations on your purchase

And welcome to our growing gang of savvy shoppers

We're on a mission to bring you extraordinary bathroom products, for less. From modern to traditional style ceramics, plus the gorgeous fixtures, fittings and furniture to match. So, you can fall in love with your space every single day.

As one of the UK's largest independent bathroom stores, we've received countless awards; including the National Business Awards UK, the Digital Entrepreneur Awards and being placed on The Sunday Times Fast Track 100.

We hope your new product exceeds your highest expectations. However, if you experience any problems, please:

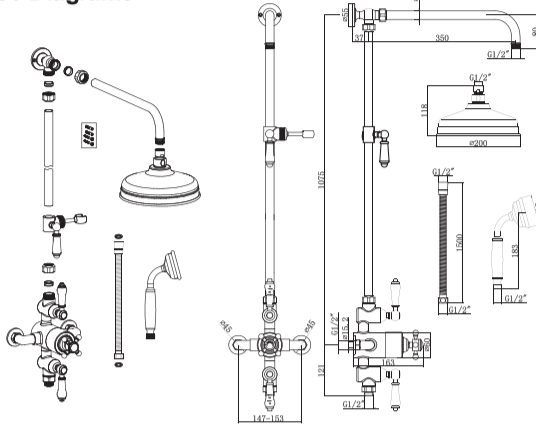
- log in to your account and contact our customer services team via your self-serve portal [betterbathrooms.com/CustomerAccount/Login](http://betterbathrooms.com/CustomerAccount/Login).
- contact us via [betterbathrooms.com/content/contact-us](http://betterbathrooms.com/content/contact-us).

### Important information

Please read these instructions thoroughly and retain for future reference. Water pressures must be balanced. Always ensure to flush the system prior to installation. Always check walls for pipes and cables before drilling.

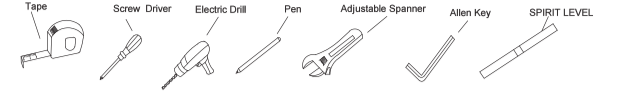
Maximum Static Pressure: 10 Bar  
Flow Pressure, Hot & Cold: 1-5 Bar  
Hot Supply Temperature: 55-65 °C  
Cold Supply Temperature: 5-25 °C

### Parts / Diagrams



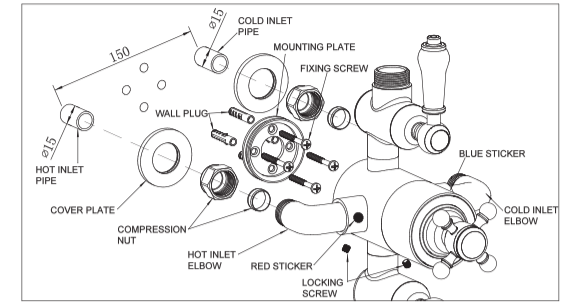
### Tools required

- Protective cloth



### Installation

Fig 1:



The valve should be installed in accordance with the water bye-laws. For further details refer to the latest copy of Water Bye-laws guide or your local water authority.

Fig 1:

1. Prepare the water supply pipes (hot on the left and cold on the right) at the identified height with a width of 150mm centers.
2. Make the ends of pipes 20-25mm out from the face of wall.
3. Remove the compression nuts and olives from the mixer elbows, then place the cover plate, the compression nut and olive over the end of the water pipe.
4. Put the mounting plate onto the wall and mark the position of 4 holes.
5. Drill 4 x 8mm holes on the wall to a depth of 45mm and insert wall plugs.
6. Insert the wall plugs into the holes, offer the mounting plate up to the wall and secure using the grub screws provided, then fix the valve body to the mounting plate using the grub screws provided.
7. Offer the valve to the mounting bracket and push the elbows over the ends of the pipes, ensure the pipes are fully inserted and connect the nut to the mixer elbow and tighten.

Fig 2:

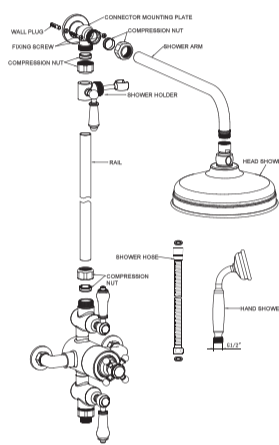


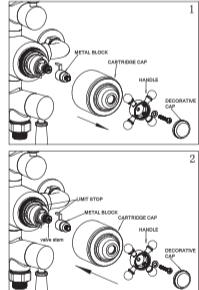
Fig 2:

1. After the valve is installed, measure the installation height of this shower set with a tape measure, mark two holes in the required position.
2. Drill 2xØ8mm holes to a depth of 45mm and insert wallplugs.
3. Fit the shower holder/slider bracket to the rail.
4. Place the compression nut and olive over the end of the rail and connect this to the shower outlet.
5. Place the compression nut and olive over the top end of the rail.
6. Fit the Wall bracket onto the end of the rail, locate over the drilled holes and secure using the wall screws.
7. Tighten both compression nuts on the rail.
8. Place the compression nut and olive over the end of the shower arm, insert the arm into the wall bracket, connect the nut and tighten.
9. Fit the seals into the shower hose and connect the hand shower to the cone end of the hose and then connect the nut end of the hose to the mixer and tighten.
10. Fit the seal into the shower head and screw this onto the arm and tighten.
11. Turn on the water supply and check for leaks.

### OPERATION

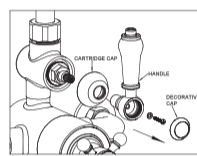
To use the overhead function, turn the top lever handle  
To use the hand shower, turn the bottom lever handle  
To change temperature, turn the cross handle until desired temperature is reached  
To move the hand shower holder, turn the lever then slide, do not slide without releasing the lever.

### RECALIBRATE

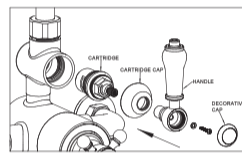


- 1) Turn off the valve.
  - 2) Unscrew the decorative cap on the temperature control handle.
  - 3) Unscrew and remove the handle.
  - 4) Unscrew and remove the cartridge cap.
  - 5) Pull off the metal block with limit stop on the backside.
- 1) Turn on the valve.
  - 2) Temperature is up when valve stem is turned clockwise, temperature is down when valve stem is turned anti-clockwise.
  - 3) When the temperature is set properly, fit the metal block to the valve stem to align the limit stop.
  - 4) Assemble all the parts back together in sequence.

### REMOVAL OF ON/OFF VALVE



- 1) Turn off hot & cold inlets.
- 2) Remove the decorative cap on the handle anti-clockwise.
- 3) Unscrew and remove the handle.
- 4) Take out cartridge cap.



- 1) Take out the valve with spanner turning anti-clockwise.
- 2) Turn replacement valve clockwise to the mixer body.
- 3) Install all the components to the mixer body in order.

### TROUBLE SHOOTING

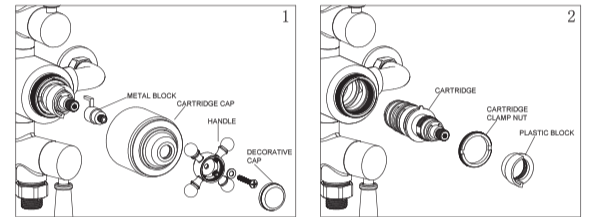
1. Output water temperature does not correspond with temperature set  
Cause: Thermostat has not been adjusted base on the existing home water system  
Remedy: Adjust the thermostat, refer to "Temperature Setting" procedure.  
Cause: Hot Water temperature too low.  
Remedy: Adjust the water heater, increase hot water temperature to 65 °C.
2. Crossflow, cold water being forced into hot water pipe, or vice versa, when valve is closed  
Cause: Non-return valves dirty or leaking  
Remedy: Clean the non-return valves or exchange if necessary
3. Very low flow or no flow  
Cause: Supply pressure inadequate  
Remedy: Check hot and cold feeds. If a pump has been installed, please check to see if the pump is working. (the valve will shut down if either the cold or hot water supply fails)
4. Water will not run hot enough when first installed  
Cause: Wrong maximum temperature setting  
Remedy: Adjust the maximum temperature, refer to "Temperature Setting" procedure.

### MAINTENANCE (THERMOSTATIC CARTRIDGE)

\*After a period of use of the thermostatic mixer, limescale or debris can build up around the thermostat cartridge, which will affect flow and performance. Cleaning of thermostat will be required. Turn off water supply and turn then turn on the shower to drain any water from inside the valve.

1. Remove the decorative cap.
2. Then remove the handle screw.
3. Pull off the handle.

4. Remove cartridge cap, metal block, plastic block, clamp nut, then pull out the cartridge
5. Wash the cartridge to clean the debris or limescale from the filters, if the debris build up is severe, this may need to be soaked overnight.
6. Once cleaned replace components in reverse sequence.



### CLEANING

To maintain the surface of your product, wipe with a clean damp cloth and wipe dry. Do not use abrasive cleaning agents or materials which can strip and scratch the surface; the use of these agents or materials can invalidate your guarantee. It is recommended to wipe and dry on a regular basis.

### For more information

- visit [betterbathrooms.com](http://betterbathrooms.com)
- email [customerservices@buyitdirect.co.uk](mailto:customerservices@buyitdirect.co.uk)
- call 03303903062
- write to Trident Business Park, Neptune Way, Huddersfield, HD2 1UA. Part of the BuyItDirect Group

better  
bathrooms